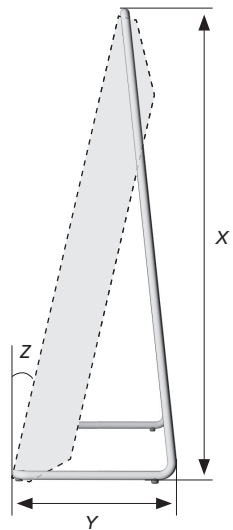


**Floor stand 4724 / 4733**

**BeoPlay V1**

*Subject to change without notice!*





**BeoPlay V1 – 32"**

$W = 826 \text{ mm (32.5")}$

$X = 556 \text{ mm (21.9")}$

$Y = 192 \text{ mm (7.55")}$

$Z = 13^\circ$

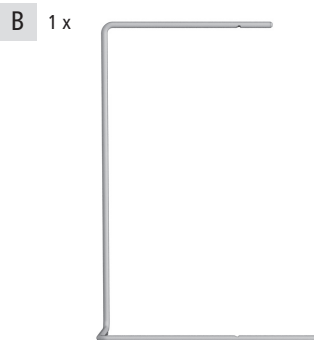
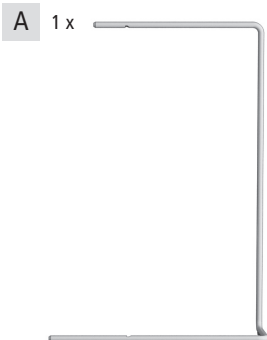
**BeoPlay V1 – 40"**

$W = 1013 \text{ mm (39.9")}$

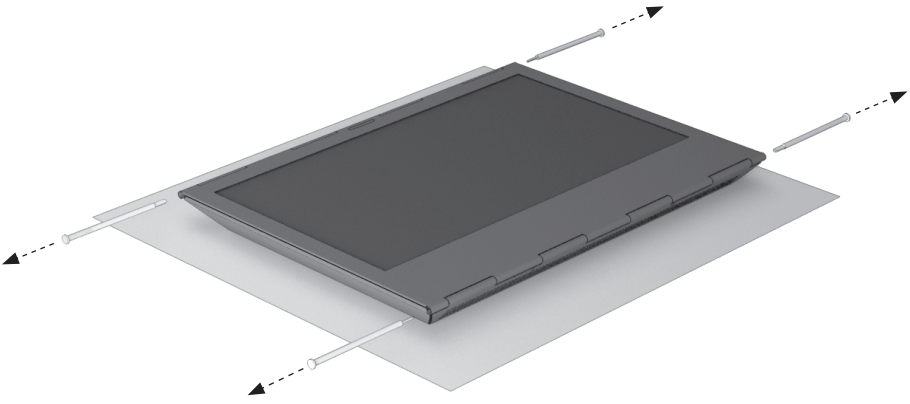
$X = 693 \text{ mm (27.3")}$

$Y = 238 \text{ mm (9.4")}$

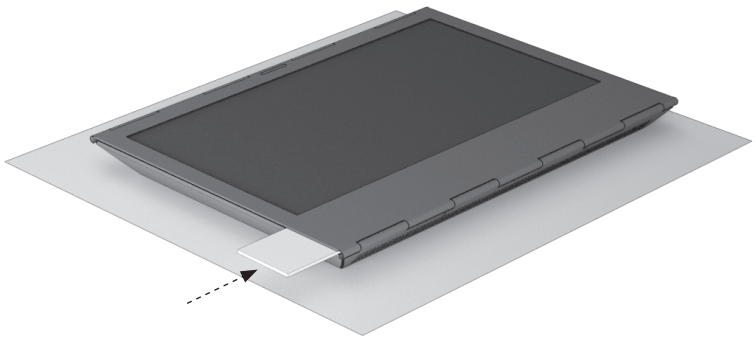
$Z = 13^\circ$

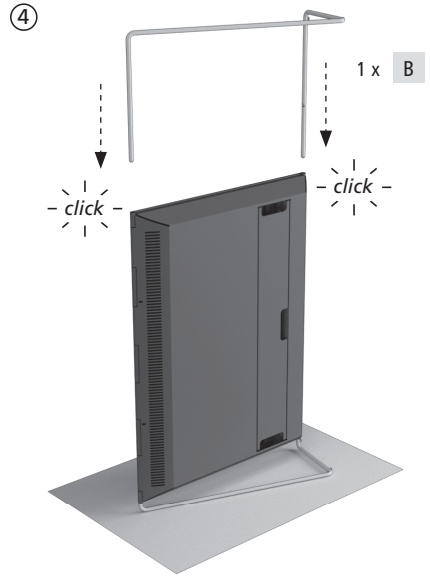
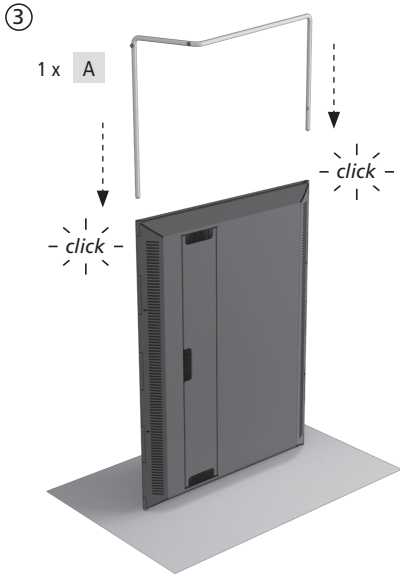


①

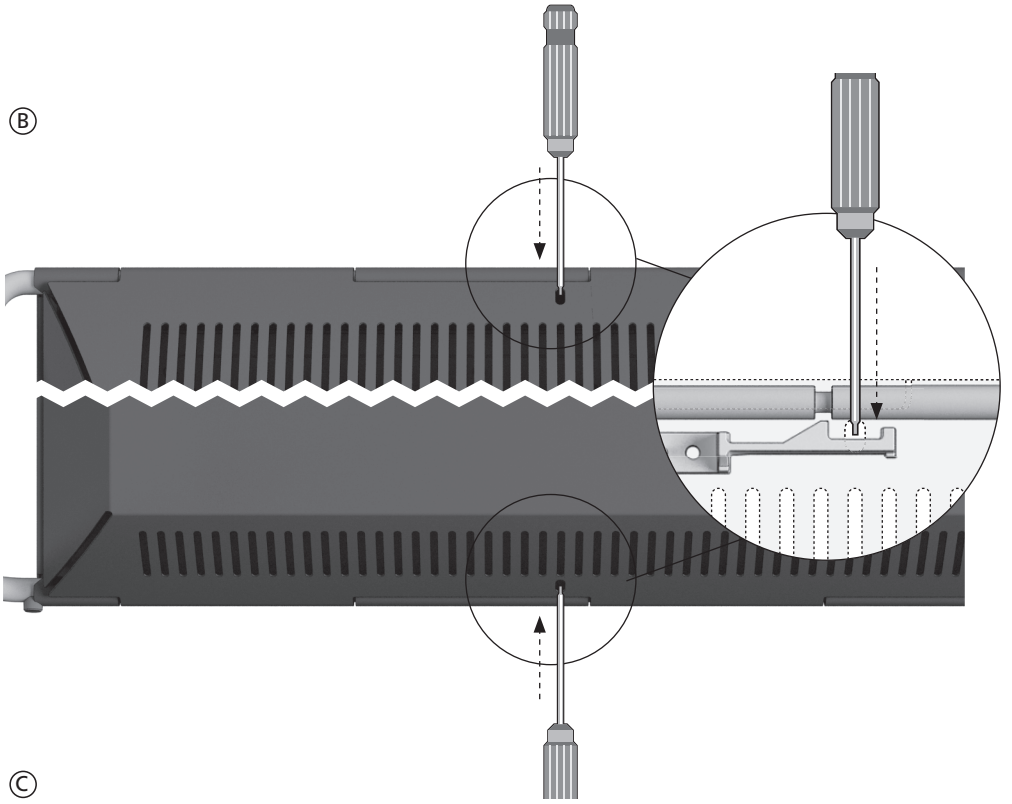


②





Ⓑ



Ⓒ

